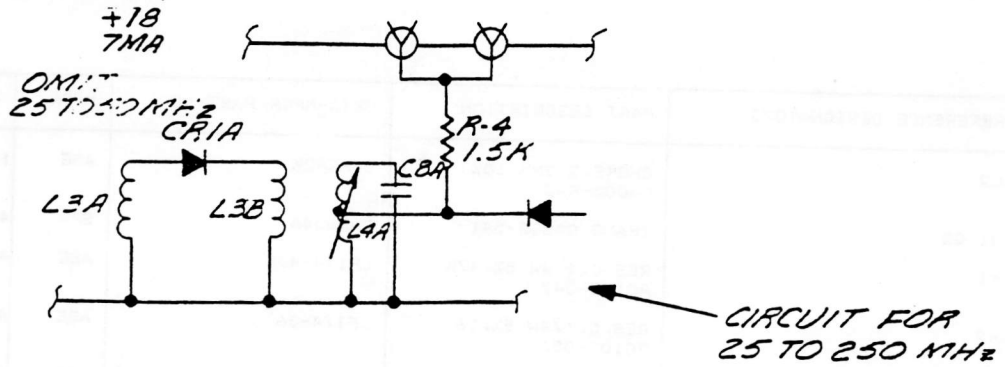
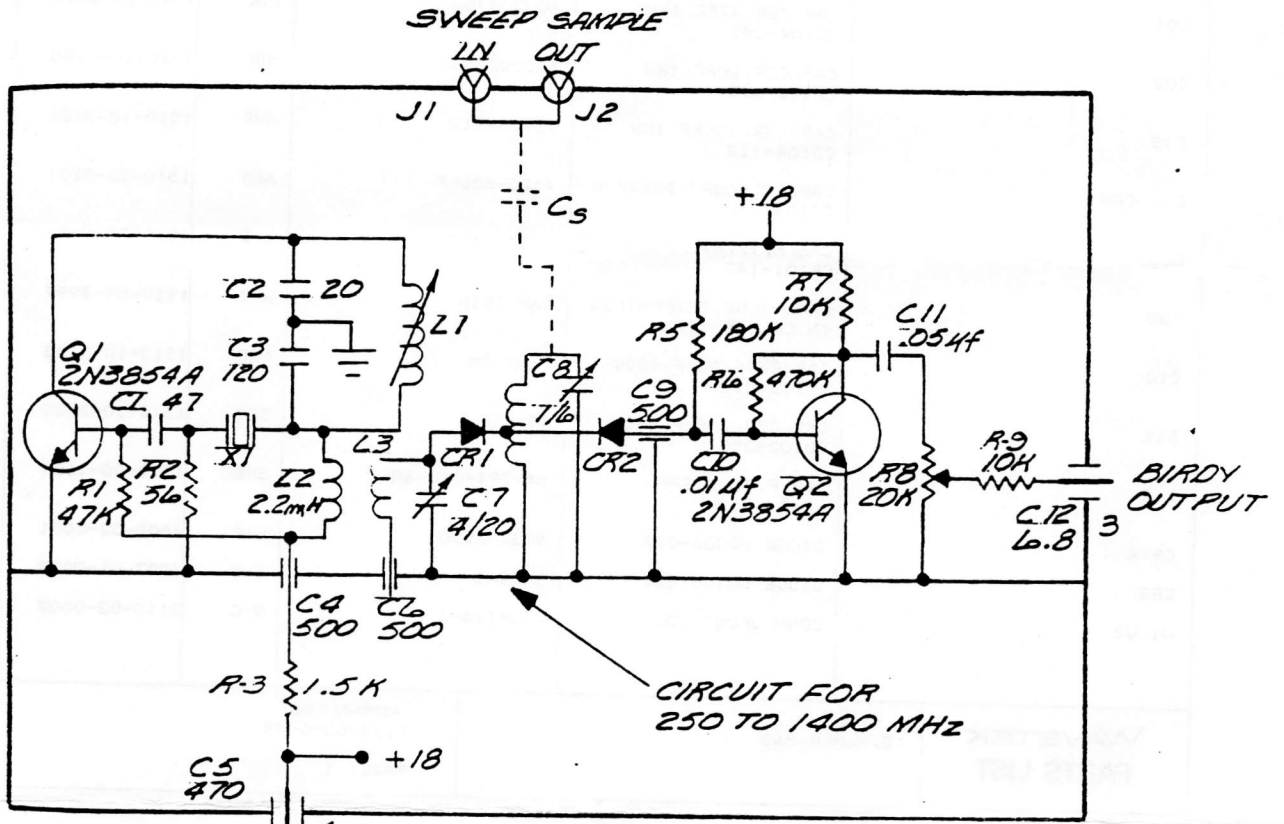


M6S SINGLE FREQ MARKER

REV A

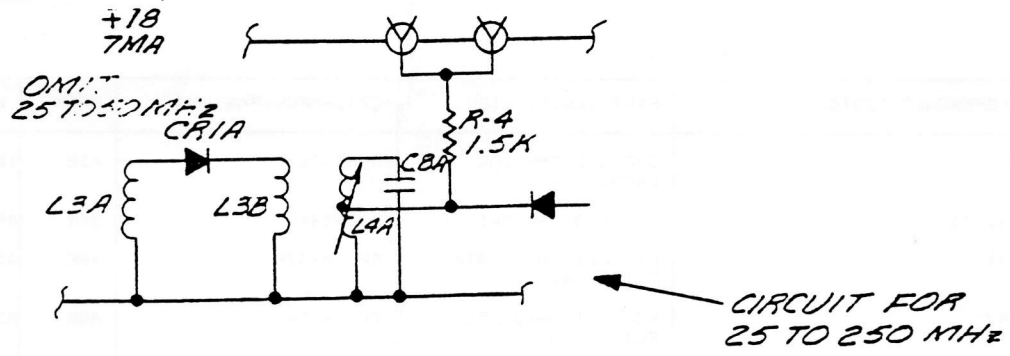
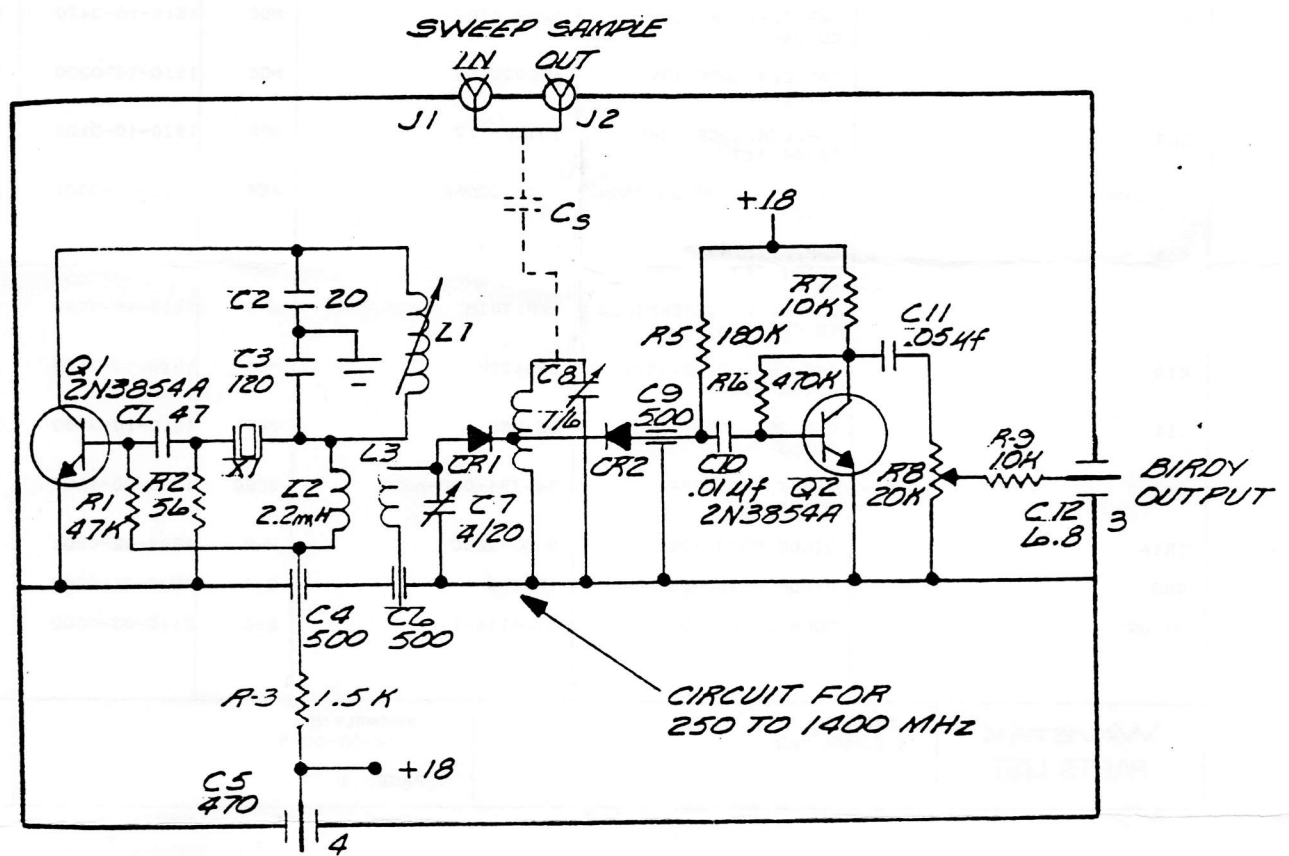


REFERENCE DESIGNATORS	PART DESCRIPTION	GRIG-MFGR-PART-NO	MFGR	WAVETEK NO.	QTY
C01	CAP. CER. 47PF. 1KV CD104-047	60U2J470J	MDC	1510-10-3470	1
C02	CAP. CER. 20PF. 1KV CD101-020	60C0G200J	MDC	1510-10-0200	1
C03	CAP. CER. 120PF. 1KV CD104-112	10TCU-T12	SPR	1510-10-3121	1
C04 C09	CAP. FT. 500PF. 20%250V CF104-150	4420-500PF	AER	1510-30-3501	2
C05	CAP. F. T., 470PF CF101-147	FA5C-4712	A-B	1510-30-0471	1
C08	CAP. VALUE DETERMINED IN CALIBRATION	CAP. TRIM	W-I	1519-99-9999	1
C10	CAP. CER. .01MF. 100V CD103-310	68U103M	MDC	1510-10-2103	1
C11	CAP. CER. .05MF. 100V CD103-350	TG-S50	SPR	1510-10-2503	1
C12	CAP. F. T., 6.8PF CF102-R68	54-794-010-6892	SPEC	1510-30-1689	1
CR1A	DIODE D6000-007	5082-2800	H-P	4809-02-0001	1
CR2	DIODE D6100-821	1N82A6	G-I	4807-01-0082	1
J1 J2	CONN JF000-005	37JR116-1	S-C	2110-03-0002	2
WAVETEK PARTS LIST		TITLE S. F. MKR, M6S	ASSEMBLY NO. 1114-00-0045		REV A
PAGE: 1					

REFERENCE DESIGNATORS	PART DESCRIPTION	GRIG-MFGR-PART-NO	MFGR	WAVETEK NO.	QTY
L2	CHOKE, 2.2MH. 10% LA005-R22	08N2R2K	ASE	1810-03-0229	1
Q1 Q2	TRANS QA038-541	2N3854A	SPR	4901-03-8541	2
R1	RES. C. 1/4W. 5%. 47K RC103-347	CF1/4-47K	ASE	4700-15-4702	1
R2	RES. C. 1/4W. 5%. 56 RC103-056	CF1/4-56	ASE	4700-15-5609	1
R3 R4	RES. C. 1/4W. 5%. 1.5K RC103-215	CF1/4-1.5K	ASE	4700-15-1501	2
R5	RES. C. 1/4W. 5%. 180K RC103-418	CF1/4-180K	ASE	4700-15-1803	1
R6	RES. C. 1/4W. 5%. 470K RC103-447	CF1/4-470K	ASE	4700-15-4703	1
R7 R9	RES. C. 1/4W. 5%. 10K RC103-310	CF1/4-10K	ASE	4700-15-1002	2
Rb	POT. 20K	WA2G032S-203MA	A-B	4610-10-7203	1
X1	CRYSTAL. XX000-331	X33W-00.00000	W-I	2310-00-0331	1
WAVETEK PARTS LIST		TITLE S. F. MKR, M6S	ASSEMBLY NO. 1114-00-0045		REV A
PAGE: 2					

M6S SINGLE FREQ MARKER

REV A



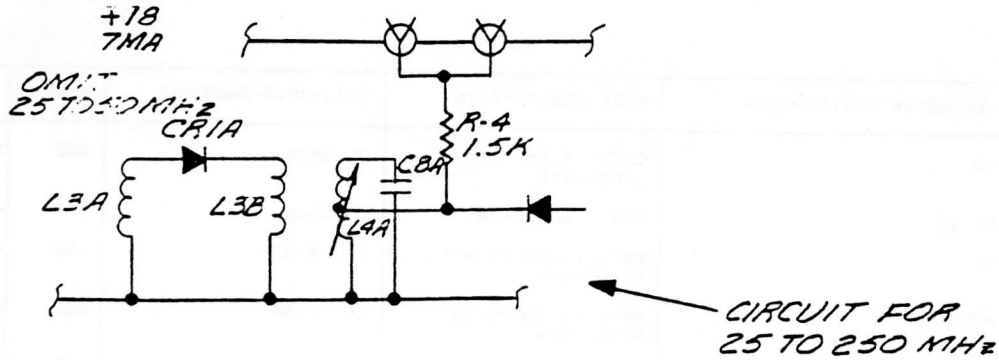
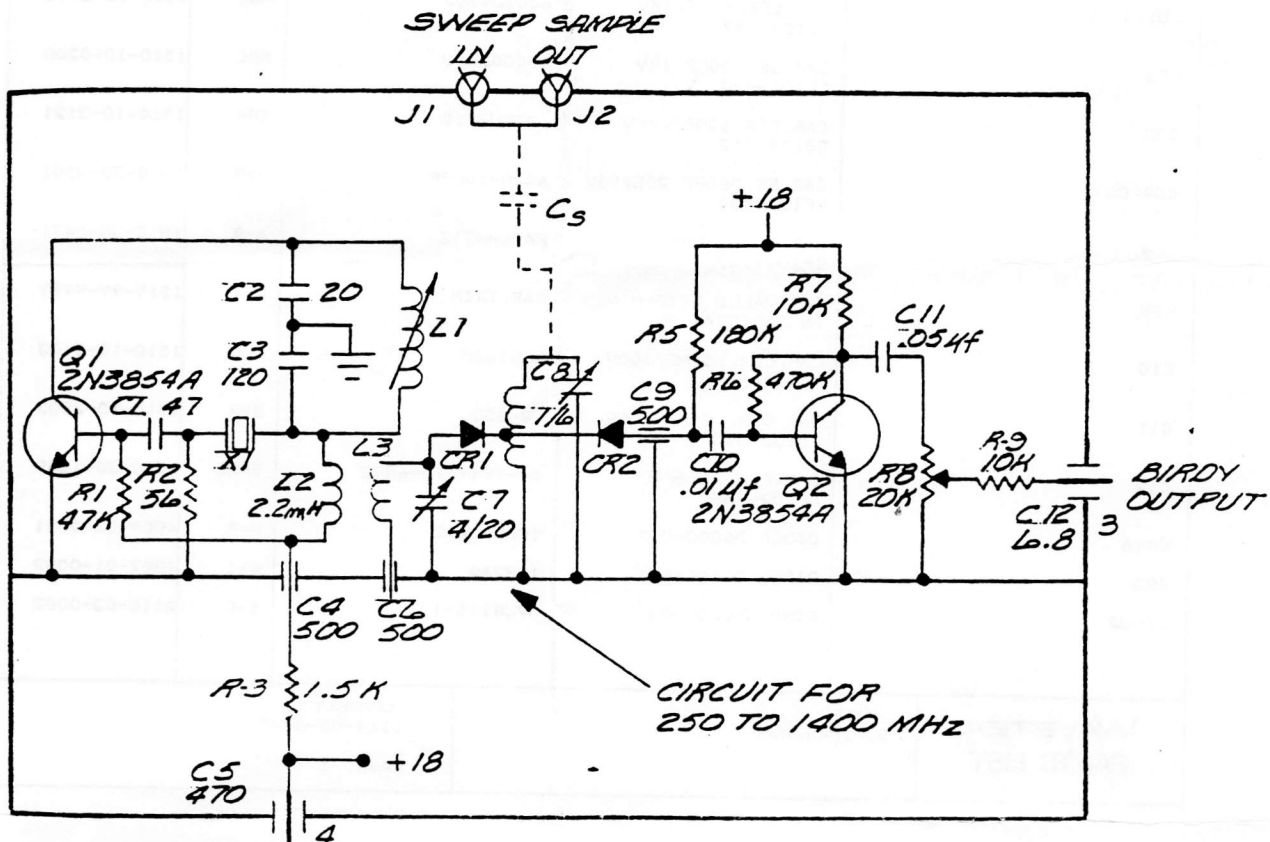
OMIT
25 TO 250 MHz
CA1A

REFERENCE DESIGNATORS	PART DESCRIPTION	GRIG-MFGR-PART-NO	MFGR	WAVETEK NO.	QTY
C01	CAP, CER, 47PF, 1KV CD104-047	60U2J470J	MDC	1510-10-3470	1
C02	CAP, CER, 20PF, 1KV CD101-020	60C0G200J	MDC	1510-10-0200	1
C03	CAP, CER, 120PF, 1KV CD104-112	10TCU-T12	SPR	1510-10-3121	1
C04 C09	CAP, FT, 500PF, 20%250V CF104-150	4420-500PF	AER	1510-30-3501	2
C05	CAP, F. T., 470PF CF101-147	FA5C-4712	A-B	1510-30-0471	1
C08	CAP, VALUE DETERMINED IN CALIBRATION	CAP, TRIM	W-I	1519-99-9999	1
C10	CAP, CER, .01MF, 100V CD103-310	68U103M	MDC	1510-10-2103	1
C11	CAP, CER, .05MF, 100V CD103-350	TG-S50	SPR	1510-10-2503	1
C12	CAP, F. T., 6.8PF CF102-R68	54-794-010-6892	SPEC	1510-30-1689	1
CR1A	DIODE DG000-007	5082-2800	H-P	4809-02-0001	1
CR2	DIODE DG100-821	1N82AG	G-I	4807-01-0082	1
J1 J2	CONN JF000-005	37JR116-1	S-C	2110-03-0002	2
WAVETEK PARTS LIST		TITLE S. F. MKR, M6S	ASSEMBLY NO. 1114-00-0045		REV A
PAGE: 1					

REFERENCE DESIGNATORS	PART DESCRIPTION	GRIG-MFGR-PART-NO	MFGR	WAVETEK NO.	QTY
L2	CHOKE, 2.2MH, 10% LA005-R22	08N2R2K	ASE	1810-03-0229	1
Q1 Q2	TRANS GA038-541	2N3854A	SPR	4901-03-8541	2
R1	RES, C, 1/4W, 5%, 47K RC103-347	CF1/4-47K	ASE	4700-15-4702	1
R2	RES, C, 1/4W, 5%, 56 RC103-056	CF1/4-56	ASE	4700-15-5609	1
R3 R4	RES, C, 1/4W, 5%, 1.5K RC103-215	CF1/4-1.5K	ASE	4700-15-1501	2
R5	RES, C, 1/4W, 5%, 180K RC103-418	CF1/4-180K	ASE	4700-15-1803	1
R6	RES, C, 1/4W, 5%, 470K RC103-447	CF1/4-470K	ASE	4700-15-4703	1
R7 R9	RES, C, 1/4W, 5%, 10K RC103-310	CF1/4-10K	ASE	4700-15-1002	2
Rb	POT, 20K	WA26032S-203MA	A-B	4610-10-7203	1
X1	CRYSTAL, XX000-331	X33W-00.00000	W-I	2310-00-0331	1
WAVETEK PARTS LIST		TITLE S. F. MKR, M6S	ASSEMBLY NO. 1114-00-0045		REV A
PAGE: 2					

M6S SINGLE FREQ MARKER

REV A

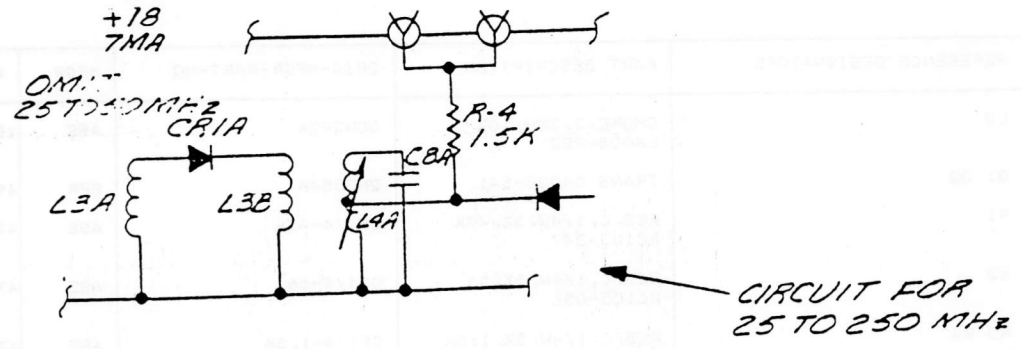
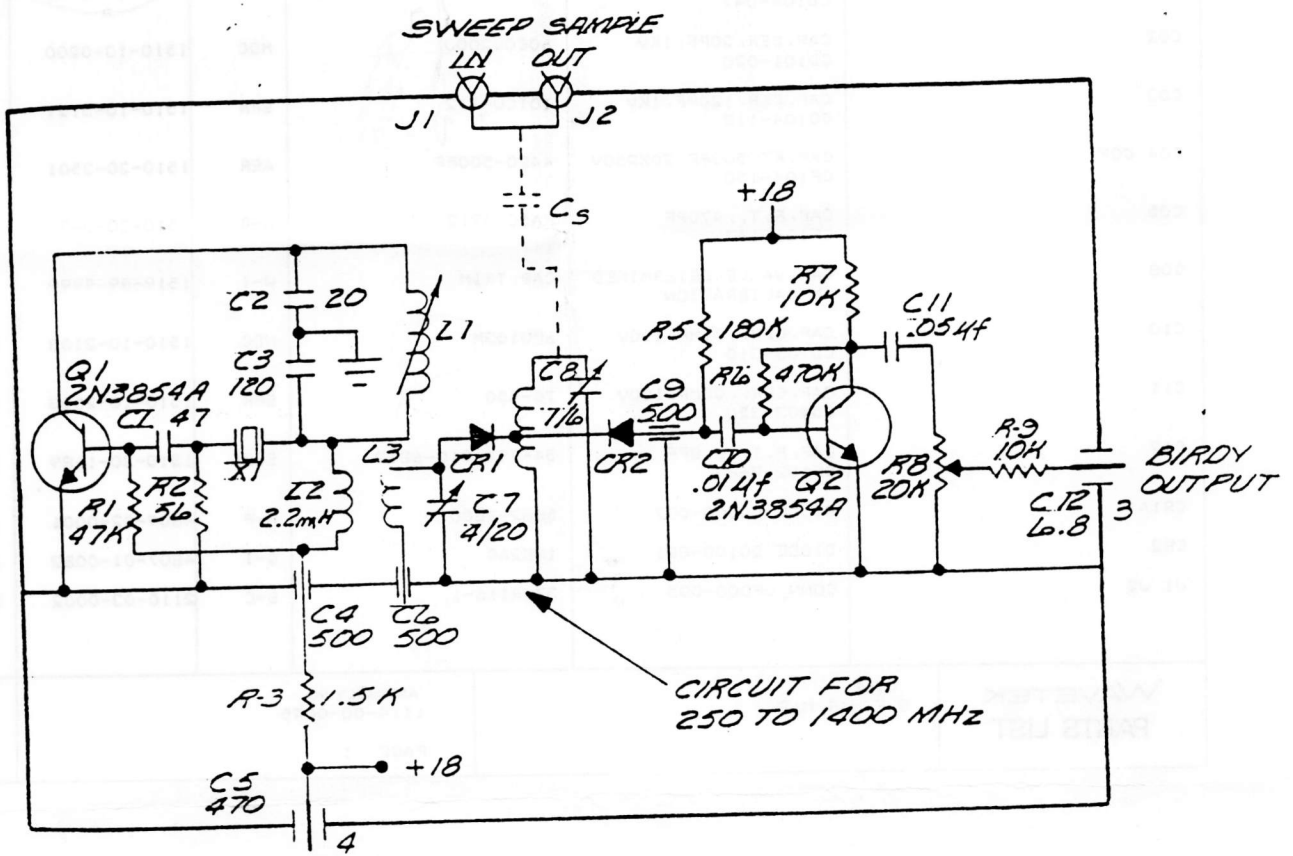


REFERENCE DESIGNATORS	PART DESCRIPTION	GRIG-MFGR-PART-NO	MFGR	WAVETEK NO.	QTY
C01	CAP. CER. 47PF, 1KV CD104-047	60U2J470J	MDC	1510-10-3470	1
C02	CAP. CER. 20PF, 1KV CD101-020	60C0G200J	MDC	1510-10-0200	1
C03	CAP. CER. 120PF, 1KV CD104-112	10TCU-T12	SPR	1510-10-3121	1
C04 C09	CAP. FT. 500PF, 20%250V CF104-150	4420-500PF	AER	1510-30-3501	2
C05	CAP. F. T., 470PF CF101-147	FA5C-4712	A-B	1510-30-0471	1
C08	CAP. VALUE DETERMINED IN CALIBRATION	CAP. TRIM	W-I	1519-99-9999	1
C10	CAP. CER. .01MF, 100V CD103-310	68U103M	MDC	1510-10-2103	1
C11	CAP. CER. .05MF, 100V CD103-350	TG-S50	SPR	1510-10-2503	1
C12	CAP. F. T., 6.8PF CF102-R68	54-794-010-6892	SPEC	1510-30-1689	1
CR1A	DIODE DG000-007	5082-2800	H-P	4809-02-0001	1
CR2	DIODE DG100-821	1N82AG	G-I	4807-01-0082	1
J1 J2	CONN JF000-005	37JR116-1	S-C	2110-03-0002	2
WAVETEK PARTS LIST		TITLE S. F. MKR, M6S	ASSEMBLY NO. 1114-00-0045		REV A
PAGE: 1					

REFERENCE DESIGNATORS	PART DESCRIPTION	GRIG-MFGR-PART-NO	MFGR	WAVETEK NO.	QTY
L2	CHOKE, 2.2MH, 10% LA005-R22	08N2R2K	ASE	1810-03-0229	1
Q1 Q2	TRANS QA038-541	2N3854A	SPR	4901-03-8541	2
R1	RES. C, 1/4W, 5%, 47K RC103-347	CF1/4-47K	ASE	4700-15-4702	1
R2	RES. C, 1/4W, 5%, 56 RC103-056	CF1/4-56	ASE	4700-15-5609	1
R3 R4	RES. C, 1/4W, 5%, 1.5K RC103-215	CF1/4-1.5K	ASE	4700-15-1501	2
R5	RES. C, 1/4W, 5%, 180K RC103-418	CF1/4-180K	ASE	4700-15-1803	1
R6	RES. C, 1/4W, 5%, 470K RC103-447	CF1/4-470K	ASE	4700-15-4703	1
R7 R9	RES. C, 1/4W, 5%, 10K RC103-310	CF1/4-10K	ASE	4700-15-1002	2
Rb	POT, 20K	WA2G032S-203MA	A-B	4610-10-7203	1
X1	CRYSTAL, XX000-331	X33W-00.00000	W-I	2310-00-0331	1
WAVETEK PARTS LIST		TITLE S. F. MKR, M6S	ASSEMBLY NO. 1114-00-0045		REV A
PAGE: 2					

M6S SINGLE FREQ MARKER

REV A



REFERENCE DESIGNATORS	PART DESCRIPTION	GRIG-MFGR-PART-NO	MFGR	WAVETEK NO.	QTY	
C01	CAP. CER. 47PF, 1KV CD104-047	60U2J470J	MDC	1510-10-3470	1	
C02	CAP. CER. 20PF, 1KV CD101-020	60C0G200J	MDC	1510-10-0200	1	
C03	CAP. CER. 120PF, 1KV CD104-112	10TCU-T12	SPR	1510-10-3121	1	
C04 C09	CAP. FT. 500PF, 20%250V CF104-150	4420-500PF	AER	1510-30-3501	2	
C05	CAP. F. T., 470PF CF101-147	FA5C-4712	A-B	1510-30-0471	1	
C08	CAP. VALUE DETERMINED IN CALIBRATION	CAP. TRIM	W-I	1519-99-9999	1	
C10	CAP. CER. .01MF, 100V CD103-310	6CU103M	MDC	1510-10-2103	1	
C11	CAP. CER. .05MF, 100V CD103-350	TC-S50	SPR	1510-10-2503	1	
C12	CAP. F. T., 6.8PF CF102-R68	54-794-010-6892	SPEC	1510-30-1689	1	
CR1A	DIODE DG000-007	50B2-2800	H-P	4809-02-0001	1	
CR2	DIODE DG100-821	1N82AG	G-I	4807-01-0082	1	
J1 J2	CONN JF000-005	37JR116-1	S-C	2110-03-0002	2	
WAVETEK PARTS LIST		TITLE S. F. MKR, M6S		ASSEMBLY NO. 1114-00-0045 PAGE: 1		REV A

REFERENCE DESIGNATORS	PART DESCRIPTION	GRIG-MFGR-PART-NO	MFGR	WAVETEK NO.	QTY	
L2	CHOKE, 2.2MH, 10% LA005-R22	0BN2R2K	ASE	1810-03-0229	1	
Q1 Q2	TRANS QA038-541	2N3854A	SPR	4901-03-8541	2	
R1	RES. C. 1/4W, 5%, 47K RC103-347	CF1/4-47K	ASE	4700-15-4702	1	
R2	RES. C. 1/4W, 5%, 56 RC103-056	CF1/4-56	ASE	4700-15-5609	1	
R3 R4	RES. C. 1/4W, 5%, 1.5K RC103-215	CF1/4-1.5K	ASE	4700-15-1501	2	
R5	RES. C. 1/4W, 5%, 180K RC103-418	CF1/4-180K	ASE	4700-15-1803	1	
R6	RES. C. 1/4W, 5%, 470K RC103-447	CF1/4-470K	ASE	4700-15-4703	1	
R7 R9	RES. C. 1/4W, 5%, 10K RC103-310	CF1/4-10K	ASE	4700-15-1002	2	
Rb	POT, 20K	WA20032S-203MA	A-B	4610-10-7203	1	
X1	CRYSTAL, XX000-331	X33W-00.00000	W-I	2310-00-0331	1	
WAVETEK PARTS LIST		TITLE S. F. MKR, M6S		ASSEMBLY NO. 1114-00-0045 PAGE: 2		REV A